

Notes:

1. When more than (1) disconnect is used, a galvanized trough system shall be installed.
2. Line taps shall be made in the galvanized wire trough by the electrical contractor.
3. Weatherproof fittings required.
4. Two (2) disconnects could be substituted with (1) disconnect. All disconnects shall have over current protection installed.
5. No more than two (2) risers or two (2) conductors per phase shall be allowed.
6. Wire shall be sized to total disconnect sizes.
7. Neutral(s) may be reduced no more than two sizes on residential applications. No reduction of the neutral(s) is allowed on commercial applications.
8. Bluebonnet pole must remain free of structures and private attachments other than service riser assembly.
9. All secondary connections on pole will be made by Bluebonnet.
10. Generator shall be a minimum of 15' away from Bluebonnet's pole and/or equipment.

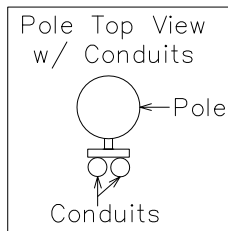
Ⓐ
Transformer Pole Riser Length:

35' Pole = 20' Riser
40' Pole = 24' Riser

Ⓑ
Service Pole Riser Length:

30' Pole = 20' Riser
35' Pole = 24' Riser

Ⓒ
Member's Conduit
Member's conduit shall be installed 8"-12" from pole



2", 3", or 4" approved electrical metal (EMT, IMC) conduit above finished grade. Risers will not exceed 2 risers per pole. Member will provide 12' of conductor tails from top of weatherhead. Bluebonnet to supply stand-offs. (Bluebonnet to mount risers to pole).

Point of Service at Transformer Pole

Transformer Pole Application

Equipment rack 2" steel pipe with uni-strut horizontal supports.

Minimum 6'
Maximum 100'

8' Min.
Riser Length

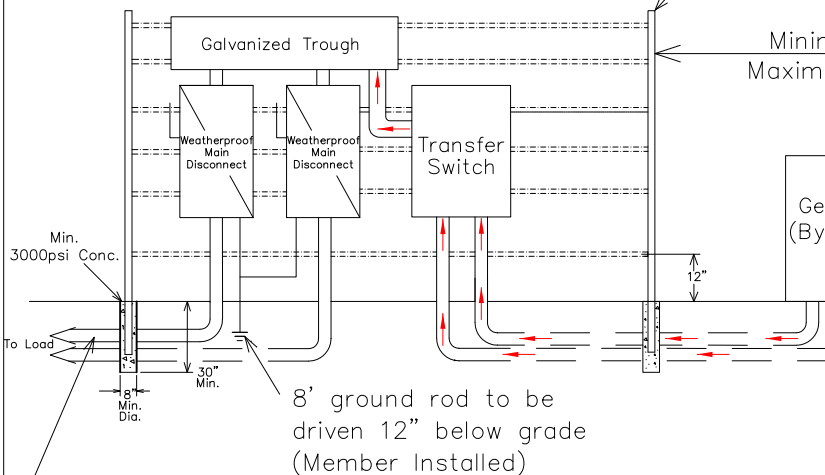
Meter socket (provided by Bluebonnet)

5' Min. - 6' Max.
Center of Meter

Finished Grade

Pipe grounding strap shall be used. (Member Provided)

Schedule 80 PVC pipe shall be stubbed up 8"-12" above the ground.



8' ground rod to be driven 12" below grade (Member Installed)

Service to load cable enclosed in minimum schedule 40 nonmetallic conduit.

Minimum schedule 40 rigid nonmetallic service conduit below finished grade. No schedule 40 conduit allowed above ground level on source side of main disconnect.

* WIRING INSTALLATIONS MUST MEET LOCAL GUIDELINES, IF APPLICABLE, SET FORTH BY CITY, COUNTY, OR OTHER GOVERNING ENTITY IN THE EVENT THESE REQUIREMENTS ARE MORE STRINGENT THAN BLUEBONNET SPECIFICATIONS. *

FOR THE MEMBER'S SAFETY, WIRING INSTALLATION AND MATERIAL SHALL CONFORM TO THE REQUIREMENTS OF THE NEC, TDLR AND NESC.

Latest update can be found at

www.bluebonnetelectric.coop/myHome/electricServices/meterLoop.aspx

1Ø > 400-800 AMPS OR 3Ø > 200-800 AMPS
O/H SERVICE WITH CT METERING ON POLE
WITH STANDBY GENERATOR SYSTEM.



| DATE | REVISIONS |
|------------|--------------------|
| 11-15-2016 | ADDED FLOW ARROWS. |
| | |
| | |

| | | |
|------------------|------------------------------|---------------------|
| Drawn By : RG | Checked By : MS COMMITTEE | Approved By : TE |
| Scale : NONE | DATE: 11-15-2016 | MS-405 |