

**"FTG012" FOOTING DETAIL**

ONE FOOTING REQ'D PER UNIT  
 UNIT: 30 MVA PWT  
 UNIT REQUIREMENTS:  
 EXC. = 40.6 YDS.  
 CONC. = 46.0 YDS.  
 ANCHOR BOLTS: 16 ~ 5/8" X 8" M.B. W/welded washer (4 EA. @ 4 PL.)  
 WATER STOP = GREEN STREAK NO. 748 OR EQUIVALENT. (100')

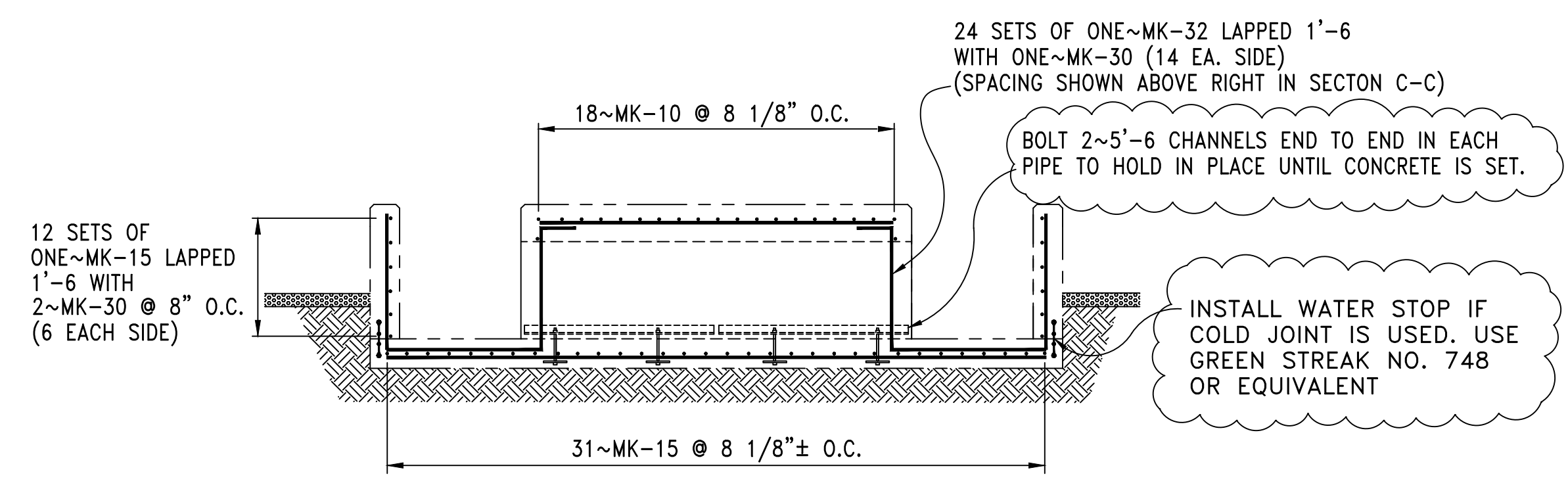
NOTE: TO BE PROVIDED BY OWNER.....  
 CORRUGATED PIPES = 4 ~ 36" X 12'-0"

REBAR:  
 56~MK-30, #6 X 3'-0 BENT  
 48~MK-31, #6 X 5'-6 BENT  
 56~MK-32, #6 X 14'-0 BENT  
 62~MK-8, #6 X 11'-6 STRAIGHT  
 53~MK-34, #6 X 20'-4 STRAIGHT  
 43~MK-15, #6 X 26'-10 STRAIGHT  
 20~MK-10, #6 X 18'-0 STRAIGHT  
 12~MK-45, #6 X 10'-6 STIRRUPS  
 8~MK-46, #6 X 5'-6 BENT

TRANSFORMER OIL = 12,285 GALLONS  
 MOAT VOLUME = 10,740 GALLONS

NUMBER UNITS REQ'D 1

\*\*BBEC OWNED\*\*



SECTION A-A

February 27, 2019

The information on this drawing is representative of the required design. It is the responsibility of the provider to verify steel member sizes and provide a Texas PE Sealed drawing (dwg and pdf) of the fabricated product.

C					F					DRAWN: XXX <JOB CODE>	
B					E					CHECKED:	
A					D					APPROVED:	
Ltr.	Date	Revision	By	Chkd.	Appd.	Ltr.	Date	Revision	By	Chkd.	Appd.

	BLUEBONNET ELECTRIC COOPERATIVE, INC GIDDINGS, TEXAS LOCATION <JOB SITE LOCATION>	FOUNDATION TRANSFORMER BASE 20'10" 27'4" "FTG012 - <STOCK #>	REVISED DATE: FEB. 27, 2019 SCALE NONE DWG. NO. FTG012
	**BBEC OWNED**		